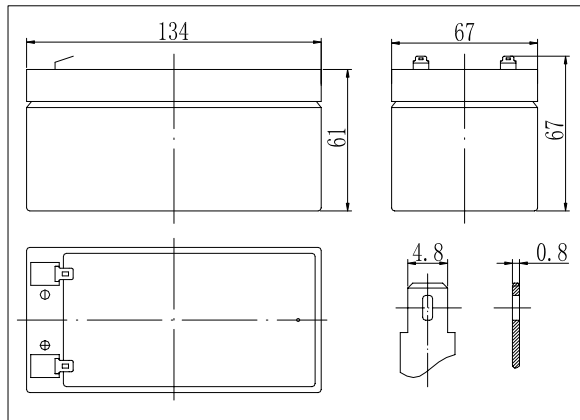
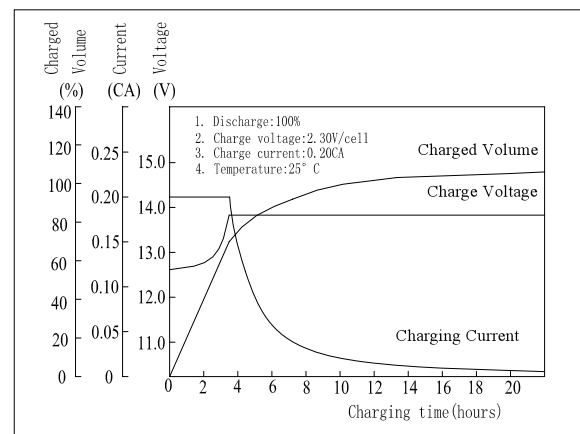
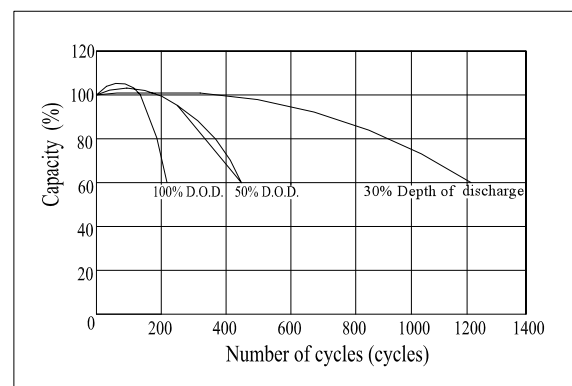


Dimensions

Specifications

Nominal Voltage		12 V
Capacity(20HR, 25 °C)		3.4 Ah
Dimension	Length	134mm (5.28inch)
	Width	67mm (2.64inch)
	Height	61mm (2.40inch)
	Total Height	67mm (2.64inch)
Approx. Weight		1.3kg (2.87lbs)
Internal resistance (Fully charged, 25 °C)		Approx. 45mΩ
Capacity affected by temperature (20HR)	40 °C	102%
	25 °C	100%
	0 °C	85%
	-15 °C	65%
Self-discharge (25 °C)	3 month	Remaining Capacity: 91%
	6 month	Remaining Capacity: 82%
	12 month	Remaining Capacity: 65%
Nominal operating temperature		25 °C ±3 °C (77 °F ±5 °F)
Operating temperature range		-15 °C ~ 50 °C (5 °F ~ 122 °F)
Float charging voltage(25 °C)		13.60 to 13.80V
Cyclic charging voltage(25 °C)		14.50 to 14.90V
Maximum charging current		10.2 A
Terminal material		Copper
Maximum discharge current		51A(5 sec.)

- ◆ Absorbent glass mat technology;
- ◆ Recognized by UL & CE;
- ◆ ABS container.

Charging Characteristics(25 °C)

Cycle Life(25 °C)


Note: Floating life at 20 °C designed for 3 to 5 years.

Constant Current Discharge Characteristics (A, 25 °C)

F.V/TIME	5min	10min	15min	30min	60min	3h	5h	10h	20h
9.60V	12.9	8.16	6.46	3.74	2.21	0.86	0.59	0.32	0.17
10.2V	12.3	7.75	6.20	3.59	2.12	0.85	0.58	0.31	0.17
10.8V	11.5	7.29	5.89	3.41	2.02	0.83	0.57	0.31	0.17

Constant Power Discharge Characteristics (Watt, 25 °C)

F.V/TIME	5min	10min	15min	30min	60min	3h	5h	10h	20h
9.60V	144	92.0	73.6	42.9	25.6	10.2	7.00	3.81	2.07
10.2V	137	87.4	70.7	41.1	24.6	10.1	6.90	3.78	2.05
10.8V	129	82.2	67.2	39.1	23.3	9.90	6.76	3.78	2.04