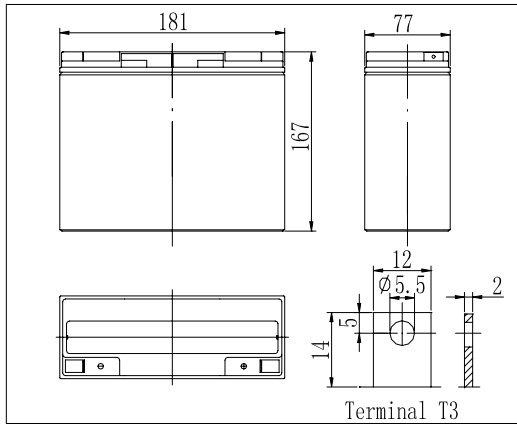
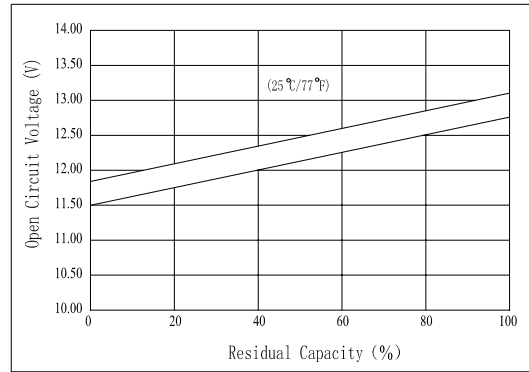


**Dimensions**



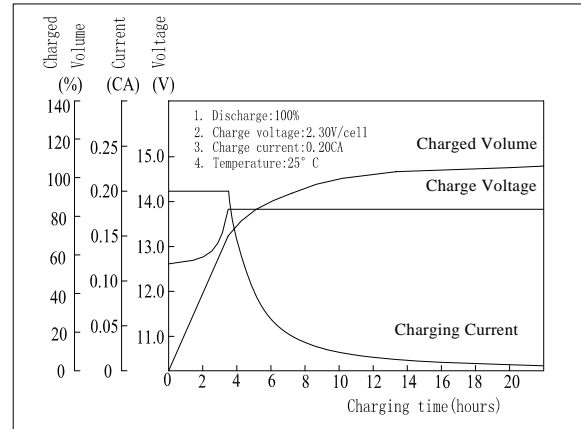
**The Relationship for Open Circuit Voltage and Residual Capacity (25°C)**



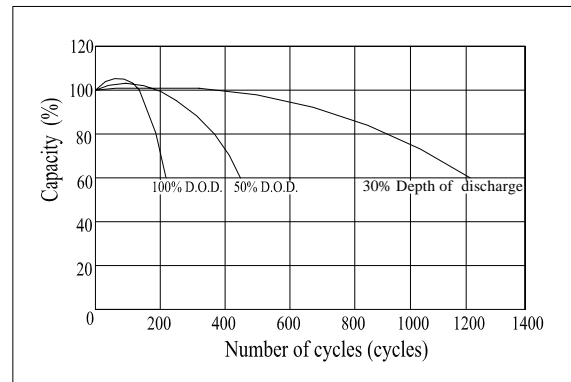
**Specifications**

Nominal Voltage	12 V	
Capacity(20HR, 25°C)	18Ah	
Dimension	Length	181mm (7.13inch)
	Width	77mm (3.03inch)
	Height	167mm (6.57inch)
	Total Height	167mm (6.57inch)
Approx. Weight	5.7kg (12.6lbs)	
Internal resistance (Fully charged, 25°C)	Approx. 17mΩ	
Capacity affected by temperature (20HR)	40°C	102%
	25°C	100%
	0°C	85%
	-15°C	65%
Self-discharge (25°C)	3 month	Remaining Capacity: 91%
	6 month	Remaining Capacity: 82%
	12 month	Remaining Capacity: 65%
Nominal operating temperature	25°C ± 3°C (77°F ± 5°F)	
Operating temperature range	-15°C ~ 50°C (5°F ~ 122°F)	
Float charging voltage(25°C)	13.60 to 13.80V	
Cyclic charging voltage(25°C)	14.50 to 14.90V	
Maximum charging current	5.4A	
Terminal material	Copper	
Maximum discharge current	270A(5 sec.)	

**Charging Characteristics(25°C)**



**Cycle Life(25°C)**



Note: Floating life at 20°C designed for 10 years.

- ◆ Absorbent glass mat technology;
- ◆ Recognized by UL & CE;
- ◆ ABS container.

**Constant Current Discharge Characteristics (A, 25°C)**

F.V/TIME	5min	10min	15min	30min	60min	3h	5h	10h	20h
9.60V	61.6	38.9	31.1	18.0	10.8	4.38	2.92	1.64	0.91
10.2V	58.5	36.9	29.9	17.3	10.4	4.32	2.88	1.63	0.91
10.8V	55.0	34.7	28.4	16.4	9.85	4.23	2.82	1.62	0.90

**Constant Power Discharge Characteristics (Watt, 25°C)**

F.V/TIME	5min	10min	15min	30min	60min	3h	5h	10h	20h
9.60V	687	439	354	206	125	52.1	34.9	19.7	11.0
10.2V	653	417	340	198	120	51.3	34.4	19.6	10.9
10.8V	613	392	323	188	114	50.3	33.7	19.6	10.8